



COMPACT, HIGH-ACCURACY DIFFERENTIAL PRESSURE TRANSDUCER

MODEL 136/236/336 - AI/AF

FEATURES:

- Compact design
- Up to $\pm 0.05\%$ FSO accuracy
- 1 PSID thru 500 PSID (0.1 thru 35 BAR D)
- Line pressure up to 1000 PSI (69 BAR)
- All-welded 316L stainless steel wetted parts
- High shock and vibration resistance
- Fast response time

APPLICATIONS:

- Liquefied natural gas (LNG) transport and storage
- Automotive test stands
- Aircraft engine test stands
- Flow measurements
- Filtration
- Tank level
- Leak testing

PRODUCT OVERVIEW:

The Model 136/236/336-AI/AF from GP:50 is a family of highly accurate, digitally compensated differential pressure transducers. Model 136/236/336-AI/AF measures differential pressure ranges as low as 20" WCD and line pressures up to 1000 PSID (69 BAR) in a compact size. Customers may also choose from among multiple accuracy, digital output, process and electrical connections. Please consult the factory for details.



Model 136 / 236 / 336 - AI/AF
Compact, High-Accuracy
Differential Pressure Transducer



APPROVALS:

- ATEX/IEC Intrinsically Safe: II 1 G Ex ia IIC T5 Ga
- ATEX/IEC Flameproof: II 2 G Ex b T4 to T6

FIELD OPTIONS:

- Accuracy options to $\pm 0.05\%$ FSO
- Digital output options; CANbus, USB, RS-485 & RS-232
- Comprehensive selection of process and electrical connections

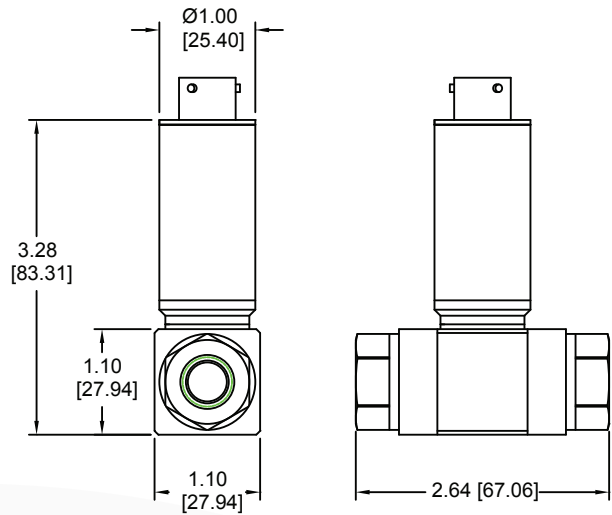
GP:50 MODEL 136 / 236 / 336 - AI/AF

DIMENSIONAL DRAWING

All dimensions are in inches (mm)

STANDARD WIRING

PIN	MODEL 136	MODEL 236	MODEL 336
A/1	+EXC	+EXC	+EXC/SIG
B/2	+SIG	+SIG	N/C
C/3	-SIG	N/C	N/C
D/4	-EXC	-EXC/SIG	-EXC/SIG
E/5	N/C	N/C	N/C
F/6	N/C	N/C	N/C



REFERENCE SPECIFICATIONS

ELECTRICAL	MECHANICAL
<ul style="list-style-type: none"> Supply Voltage: (Model 136) 5.0 to 15 Vdc (Models 236, 336) 9.0 to 32 Vdc Output Signal: (Model 136) 3, 5, 10 mV/V (Model 236) 0 to 5 Vdc, 0 to 10 Vdc option (Model 336) 4-20 mA Response Time: 2 ms typical Connection: 340AI: 6-pin Amphenol PTIH-10-6P stainless steel or equivalent standard, options available 340AF: ½" NPT (M) conduit w/18" 18 AWG leads 	<ul style="list-style-type: none"> Process Connection: 1/4" NPT (F) (Consult factory for other options) Proof Pressure: 2X FSO Burst Pressure: 5X FSO Line Pressure: 1000 PSI (69 BAR) Approximate Weight: 8 oz (254 gm) Orientation Effect ≤ 2 PSI: ±3.5% FSO, Rotated 90° from Horizontal
MATERIALS OF CONSTRUCTION	PRESSURE RANGES
<ul style="list-style-type: none"> Wetted Parts: 316L stainless steel Housing: 300 series stainless steel Internal Fill: Silicon Oil (Fomblin Oil Available) 	<ul style="list-style-type: none"> 1 PSID thru 500 PSID (0.1 thru 35 BAR D) (Other ranges available)
STATIC ACCURACY (HYSTERESIS, NON-LINEARITY & REPEATABILITY @ +70 °F)	THERMAL SPECIFICATIONS
<ul style="list-style-type: none"> ±0.25% FSO (±0.10%, ±0.05% FSO optional) Zero/Span Balance: ±0.5% FSO 	<ul style="list-style-type: none"> Compensated Range: 0 °F to +185 °F (-18 °C to +77 °C) (Other ranges available) Operating Ambient: -40 °F to +250 °F (-40 °C to +121 °C) Operating Process: -40 °F to +250 °F (-40 °C to +121 °C) Storage Ambient: -50 °F to +260 °F (-46 °C to +127 °C) Effect on Zero/Span: (Model 136) ±1.0% FSO/100 °F (Models 236/336) Standard: ±0.50% FSO/100 °F Improved: ±0.25% FSO/100 °F
OPTIONAL VARIATIONS	
Zero & span, shunt calibration, alternate connectors, pressure ports	

**Standard configurations shown.
Please consult factory for other options.**

All specifications are for reference purposes only. In the interests of continuous product improvement, all specifications are subject to change without notice. Please contact GP:50 for assistance with your application.

