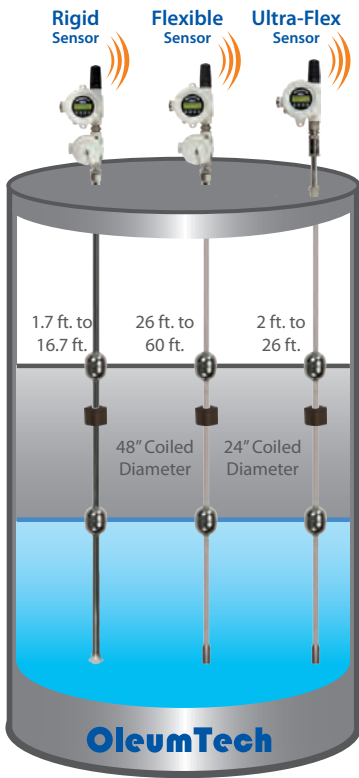


1. NETWORKING/CONNECTION DIAGRAM



Up to 7500 ft. Range (2.3 Km)



The Liquid Level Transmitter - Magnetostrictive attaches to a Liquid Level Sensor for monitoring tank level.

This continuous liquid level gauge measures product, interface, and temperature. Available with rigid, ultra-flex, or flexible sensor, and 1 or 2 floats. Quick Connect Adapter is available for easy mounting (eliminates Junction Box and wiring).

Local LCD Display enables cable-free configuration and allows reading of processed data instantly.

Wirelessly transmits data to a Wireless Gateway.

- Modbus RTU Polling Devices**
- Cameron
 - Allen Bradley
 - Emerson
 - Thermo
 - ABB
- And More**

2. FIELD APPLICATION DIAGRAM

A typical wellpad tank level application shown using the Transmitter with Liquid Level Sensor.

